

APR 4920

REVERSIBLE VIBRATORY PLATE

A PERFORMER ON STEEP GRADES

The APR 4920 features good manoeuvrability and power with an 8.2 kw engine available to help with climbing and, ultimately, compaction. The machine performs at grades up to 30%. Working widths of 450 mm can be broadened with extensions of 75 mm and 150 mm. Engine unit is completely covered by a durable and protective engine hood that offers wide openings for great accessibility when servicing the machine.

INNOVATIVE HANDLE

- The low vibration handle reduce stress on the operator.
- Round handle for optimized grip for all individual operator
- Opening in handle prevents the machine from getting damaged by lifting on unsuitable positions

MAKES THE GRADE

- Overcomes grades between 30% and 35%.
- Remains fastest machine on the market.

READY TO RENT

- Low-cost upkeep.
- Good match for many applications.
- Easy for new users to operate.

TWIN-SHAFT EXCITER UNIT

- Shaft positioning enables the operator to easily change directions.
- Smooth variable hydrostatic unit allows machine to move easily in forward and reverse.
- "On-the-spot" vibration can be utilised in particularly challenging areas.

DURABLE

- Engine cover to protect all components from dust and dirt.
- Well-protected, robust centrifugal clutch with wear-resistant V belt.
- Service-friendly exciter unit with long lifetime.
- Fresh air suction behind the machine leads to longer lifetime

APPLICATIONS

- Earthwork and paving applications
- Road and rail track construction
- Compaction work in narrow trenches, confined areas
- Landscape and gardening
- Foundation work
- Sensitive surfaces (with optional rubber mats for stone protection)

AMMANN

TECHNICAL SPECIFICATIONS
APR 4920 REVERSIBLE VIBRATORY PLATE

WEIGHT & DIMENSIONS

	PETROL	DIESEL
MACHINE WEIGHT	363 kg (800 lb)	391 kg (862 lb)
WITH EXTENSION PLATES 75 MM	385 kg (849 lb)	413 kg (910 lb)
WITH EXTENSION PLATES 150 MM	396 kg (873 lb)	424 kg (935 lb)
A BASE PLATE LENGTH	450 mm (17.7 in)	450 mm (17.7 in)
B MACHINE LENGTH	898 mm (35.3 in)	898 mm (35.3 in)
C WITH HANDLE	1485 mm (58.5 in)	1485 mm (58.5 in)
D MACHINE HEIGHT	895 mm (35.2 in)	817 mm (32.2 in)
E HANDLE HEIGHT (WORK)	1000 mm (39.4 in)	1000 mm (39.4 in)
F HANDLE HEIGHT (TRANSPORT)	1285 mm (50.6 in)	1285 mm (50.6 in)
G MACHINE WIDTH	450 mm (17.1 in)	450 mm (17.1 in)

ENGINE

ENGINE	Honda GX 390	Hatz 1B40
FUEL	Petrol	Diesel
ENGINE OUTPUT	11.1 HP / 8.2 kW	9 HP / 6.6 kW
AT RPM	3000	2900
FUEL CONSUMPTION	2.5 l/h (0.6 gal)	1.6 l/h (0.4 gal)

COMPACTION FORCES

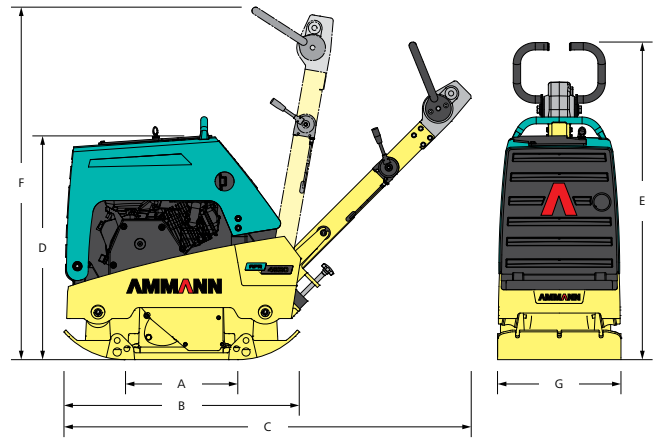
MAX. VIBRATION FREQUENCY	65 Hz (3900 vpm)	65 Hz (3900 vpm)
MAX. CENTRIFUGAL FORCE	49 kN (11 lbf)	49 kN (11 lbf)
WORKING SURFACE	845 m ² /h (9095 ft ² /h)	845 m ² /h (9095 ft ² /h)
WITH EXTENSION PLATES 75 MM	1115 m ² /h (12002 ft ² /h)	1115 m ² /h (12002 ft ² /h)
WITH EXTENSION PLATES 150 MM	1395 m ² /h (15016 ft ² /h)	1395 m ² /h (15016 ft ² /h)
MAX. COMPACTION DEPTH (DEPENDING ON GROUND CONDITIONS)	60 cm (24 in)	60 cm (24 in)

MISCELLANEOUS

SPEED	0–35 m/min	0–35m/min
FUEL TANK	6.1 l (1.6 gal)	5 l (1.1 gal)
GRADEABILITY	30 %	30 %
MAX. INCLINE TO ALL SIDES	20 °	25 °

STANDARD EQUIPMENT

- Foldable cover allows easy maintenance and assures good engine protection
- Sturdy protection frame with central lifting point
- Powerful and reliable petrol or diesel engine
- 2-shaft exciter with long service intervalls
- Well protected, sturdy centrifugal clutch with wear resistant V-Belt
- 3 year extended warranty program



OPTIONAL EQUIPMENT

- Transport wheels
- Vulcollan mat for applications on paving stones
- Electric starter (Diesel engine)
- Hour meter
- Extension plates

For additional product information and services please visit:
www.ammann-group.com

Specifications are subject to change.
MSS-1057-00-EN | © Ammann Group

AMMANN