

# APF 20/50

## FORWARD MOVING VIBRATORY PLATES

HONDA



HATZ



### PACKING POWER

The APF 20/50 provides the most power in the new APF lineup. It features a working width of 500 mm and centrifugal force of 18 kN. The plate's technologically advanced exciter unit is completely maintenance free. The exciter system also provides significant forward-moving power to enhance productivity in challenging materials and on steep grades. The APF 20/50 Honda has an engine output of 3.7 kW (5 HP), the most power in the new APF lineup. The APF 20/50 Hatz combines all the benefits of other Ammann plates with a diesel engine that makes fueling at the jobsite more convenient. The diesel engine provides engine power of 3.2 kW (4.3 HP) and also excels in higher altitudes.

### SIMPLE OPERATION

- Operator safety with low HAV levels on the handle
- Machine frame that enables secure grip
- Great maneuverability boosts accuracy and makes work simple

### POWERFUL COMPACTOR

- Generously sized, powerful exciter unit
- Leading compaction power, speed, climbing ability and machine life
- Compact dimensions allow use on sites with limited space

### READY FOR RENTAL

- Low cost upkeep for owners
- Good match for many applications
- Easy for new users to operate

### SERVICEABILITY

- Maintenance-free exciter system
- Full engine protection frame
- Toolless daily maintenance

### VERSATILE OPTIONS

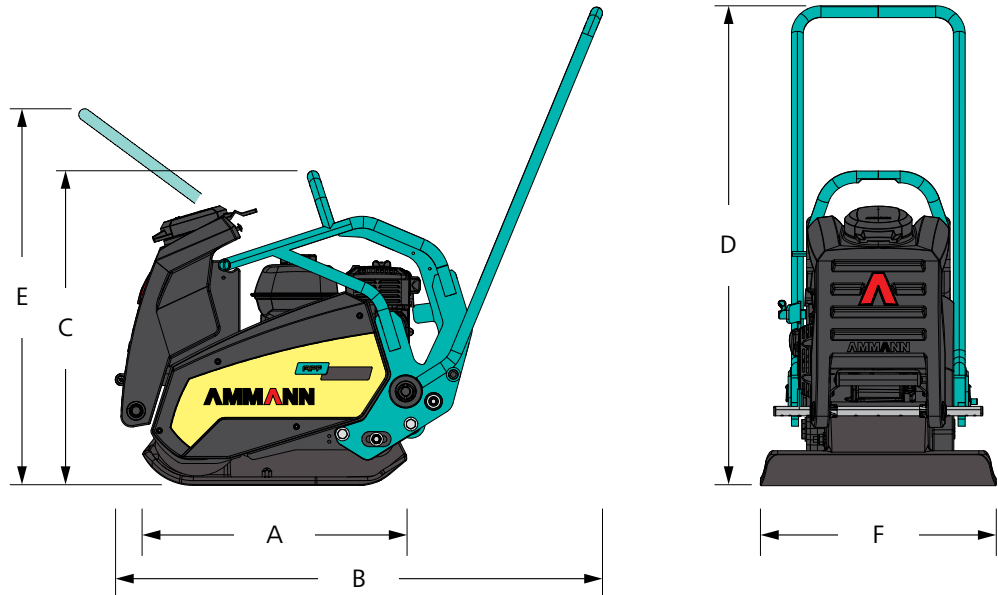
- Toolless mountable water tank and sprinkler system
- Toolless mountable rubber mats to change onto paving stones
- Permanently mounted transport wheels easy relocation of the machine on site

### APPLICATIONS

- Compaction in confined areas
- Asphalt and paving applications
- Light to medium patchwork
- Pipeline and trench construction
- Landscaping and gardening
- Earthwork

**AMMANN**

TECHNICAL SPECIFICATIONS  
 APF 20/50  
 FORWARD MOVING  
 VIBRATORY PLATES



### DIMENSIONS & WEIGHTS

	Honda	Hatz
MACHINE WEIGHT	88 kg (194 lb)	106 kg (234 lb)
A BASE PLATE LENGTH	346 mm (13.62 in)	352 mm (13.86 in)
B MACHINE LENGTH	1032 mm (40.62 in)	1164 mm (45.83 in)
C MACHINE HEIGHT	529 mm (20.82 in)	673 mm (26.50 in)
D WITH HANDLE (WORK)	1015 mm (39.96 in)	1015 mm (39.96 in)
E WITH HANDLE (TRANSPORT)	860 mm (33.86 in)	738 mm (29.06 in)
F MACHINE WIDTH	500 mm (19.7 in)	500 mm (19.7 in)

### COMPACTION FORCES

	Honda	Hatz
MAX. VIBRATION FREQUENCY	90 Hz (5400 vpm)	90 Hz (5400 vpm)
MAX. CENTRIFUGAL FORCE	20 kN	20 kN
WORKING SURFACE	up to 1020 m <sup>2</sup> /h	up to 870 m <sup>2</sup> /h
SPEC. SURFACE PRESSURE	8.1 N/cm <sup>2</sup>	9.0 N/cm <sup>2</sup>

### ENGINE

	Honda	Hatz
ENGINE	Honda GX 160	Hatz 1B20
FUEL	Petrol	Diesel
ENGINE OUTPUT AT RPM	3.7 kW (5 HP) 3250	3.2 kW (4.3 HP) 3250

### MISCELLANEOUS

WORKING SPEED	3.1 m/s <sup>2</sup>	<2.5 m/s <sup>2</sup>
MAX. GRADEABILITY	0–27 m/min (88.6 fpm)	0–27 m/min (88.6 fpm)
MAX. INCLINE	30 %	30 %
MAX. INCLINE	20°	20°

### OPTIONS

RUBBER MAT	x	x
TRANSPORT WHEELS	x	x
WATER SPRINKLER SYSTEM	10 l	10 l
HOUR METER	x	x

### HIGHLIGHTS

- Low-vibration handle for operator safety and comfort
- Maintenance-free exciter system
- Base plate that is self cleaning and wear resistant
- Engine frame for protection on the jobsite and during transport
- Transport wheels, which can be dropped with a foot release and enable mobility on the jobsite