

APR 25/40 APR 25/50

REVERSIBLE VIBRATORY PLATE



AN ALL-AROUND PERFORMER

The APR 25/40 and APR 25/50 offer you multiple options with available working widths of 38 cm (15 in) or 50 cm (19.7 in). This all-around machines perform in varied applications and on varied surfaces, plus they offers an optional water sprinkler system for work on asphalt. The APR 25/40 and APR 25/50 have the ability to move back and forth and provide “on-the-spot” vibration for particularly stubborn materials. Permanently mounted transport wheels are another productivity-boosting option offered.

PRODUCTIVITY

Superior compaction performance

Powerful vibratory system generates high compaction forces for fast, comprehensive compaction.

Unmatched speed

Balanced base plate enables superior mobility and high working speed.

Hydrostatic steering control

Provides simple control and high accuracy even in confined areas.

ERGONOMICS

Low-vibration guide handle

Industry-leading HAV values below 2.5 m/sec² (8.2 ft/sec²) protect operator and eliminate need for time-consuming record keeping.

Convenient guide handle

Ergonomically optimised for ideal machine control during the working shift.

Secure transport

Machine is easily secured during transport for convenience and safety.

SERVICEABILITY

Toolless daily inspection

Quick and easy daily inspection.

Simplified maintenance work

Service and regular maintenance points are quick and easily accessible.

Protective frame and covers

Protects all key components against damage on the jobsite or during transport.

APPLICATIONS

- Earthwork and paving applications
- Road and rail track construction
- Compaction work in narrow trenches, confined areas
- Landscape and gardening
- Foundation work
- Sensitive surfaces (with optional rubber mats for stone protection)

AMMANN

TECHNICAL SPECIFICATIONS
APR 25/40 & APR 25/50 REVERSIBLE VIBRATORY PLATE

WEIGHT & DIMENSIONS

	APR 25/40	APR 25/50
MACHINE WEIGHT	135 kg (298 lb)	135 kg (298 lb)
MACHINE WEIGHT (WITH OPTIONS)	146 kg (322 lb)	146 kg (322 lb)
A BASE PLATE LENGHT	330 mm (13.0 in)	330 mm (13.0 in)
B MACHINE LENGHT	700 mm (27.6 in)	700 mm (27.6 in)
C WITH HANDLE	1140 mm (44.9 in)	1140 mm (44.9 in)
D MACHINE HEIGHT	755 mm (29.7 in)	755 mm (29.7 in)
E HANDLE HEIGHT (WORK)	1000 mm (39.4 in)	1000 mm (39.4 in)
F HANDLE HEIGHT (TRANSPORT)	1180 mm (46.5 in)	1180 mm (46.5 in)
G MACHINE WIDTH	380 mm (15.0 in)	500 mm (19.7 in)

COMPACTION FORCES

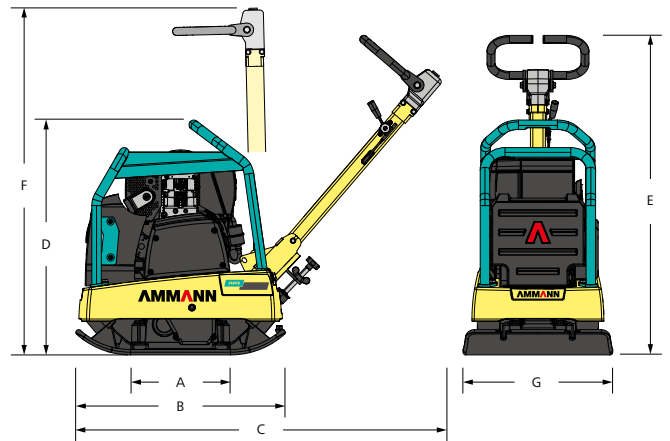
MAX. VIBRATION FREQUENCY	95 Hz (5700 vpm)	95 Hz (5700 vpm)
MAX. CENTRIFUGAL FORCE	25 kN (5620 lbf)	25 kN (5620 lbf)
WORKING SURFACE	479 m ² /h (5154 ft ² /h)	630 m ² /h (6781 ft ² /h)
SPEC. SURFACE PRESSURE	19,9 N/cm ² (28,9 psi)	15,2 N/cm ² (22 psi)
AMPLITUDE	1.5 mm (0.1 in)	1.5 mm (0.1 in)

MISCELLANEOUS

HAND-ARM VIBRATIONS	< 2.5m/sec ²	< 2.5m/sec ²
SPEED	21 m/min (69 ft/min)	21 m/min (69 ft/min)
FUEL TANK	3.0 l (0.8 gal)	3.0 l (0.8 gal)
GRADEABILITY	35%	35%
MAX. INCLINE TO ALL SIDES	30°	30°
WATER TANK	9.4 l (2.5 gal)	9.4 l (2.5 gal)

STANDARD EQUIPMENT

- Sturdy protection frame with central lifting point
- Vibration isolated handle bar
- Powerful and reliable diesel engine
- 2-shaft exciter with long service intervals
- Well protected, sturdy certrifugal clutch with wear resistant V-Belt
- 3 year extended warranty program



ENGINE

ENGINE	Hatz 1B20	Hatz 1B20
FUEL	Diesel	Diesel
ENGINE OUTPUT AT RPM	3.1 kW / 4.2 HP 3000	3.1 kW / 4.2 HP 3000
FUEL CONSUMPTION	0.9 l/h (0.2 gal/h)	0.9 l/h (0.2 gal/h)



OPTIONAL EQUIPMENT

- Transport wheels
- Toolless mountable rubber mat for applications on paving stones (only with APR 25/50)
- Water tank & sprinkler system (only with APR 25/50)
- Hour meter