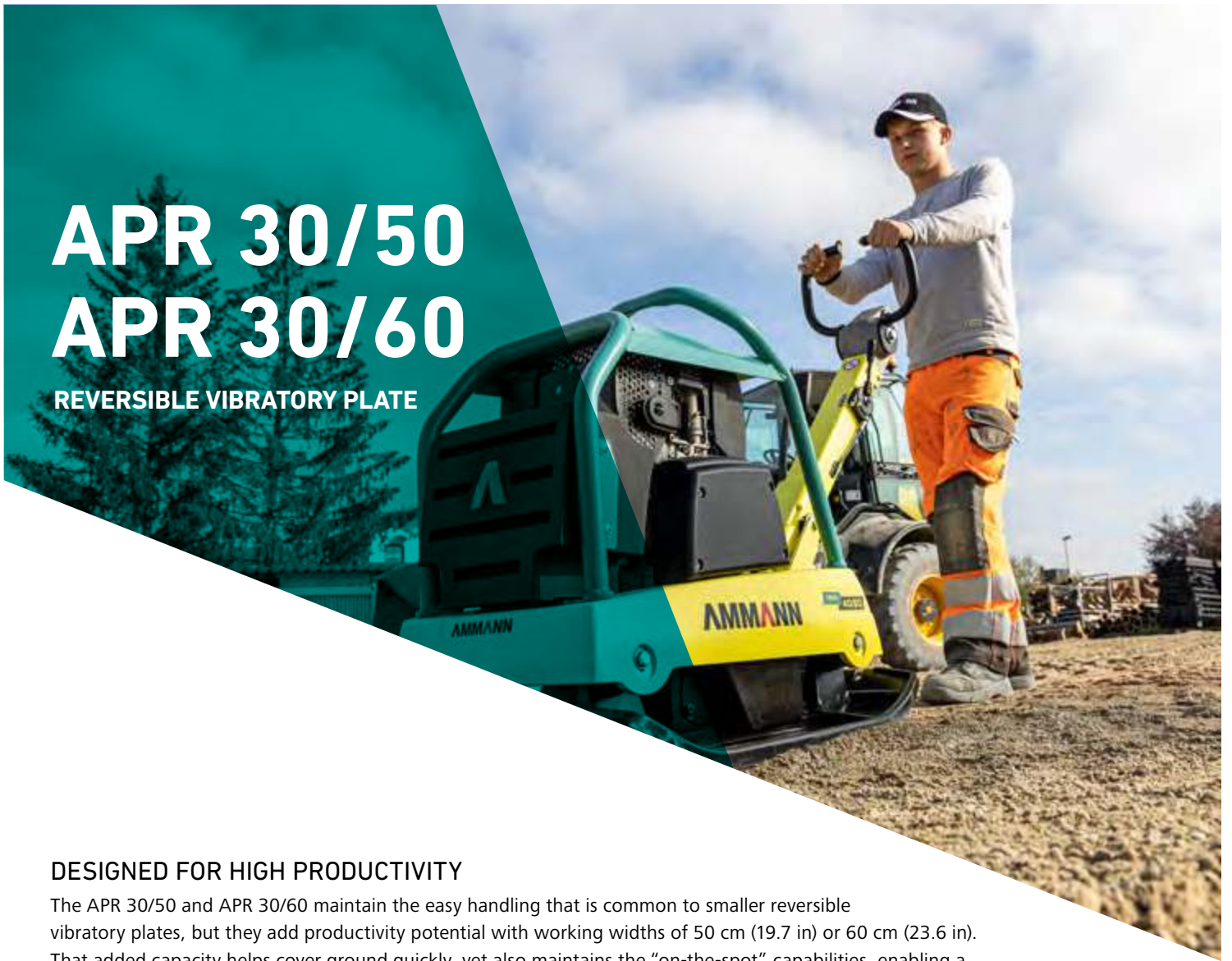


APR 30/50 APR 30/60

REVERSIBLE VIBRATORY PLATE



DESIGNED FOR HIGH PRODUCTIVITY

The APR 30/50 and APR 30/60 maintain the easy handling that is common to smaller reversible vibratory plates, but they add productivity potential with working widths of 50 cm (19.7 in) or 60 cm (23.6 in). That added capacity helps cover ground quickly, yet also maintains the “on-the-spot” capabilities, enabling a focus on particularly tough-to-compact areas.

PRODUCTIVITY

Superior compaction performance

Powerful vibratory system generates high compaction forces for fast, comprehensive compaction.

Unmatched speed

Balanced base plate enables superior mobility and high working speed.

Hydrostatic steering control

Provides simple control and high accuracy even in confined areas.

ERGONOMICS

Low-vibration guide handle

Industry-leading HAV values below 2.5 m/sec² (8.2 ft/sec²) protect operator and eliminate need for time-consuming record keeping.

Convenient guide handle

Ergonomically optimised for ideal machine control during the working shift.

Secure transport

Machine is easily secured during transport for convenience and safety.

SERVICEABILITY

Toolless daily inspection

Quick and easy daily inspection.

Simplified maintenance work

Service and regular maintenance points are quick and easily accessible.

Protective frame and covers

Protects all key components against damage on the jobsite or during transport.

APPLICATIONS

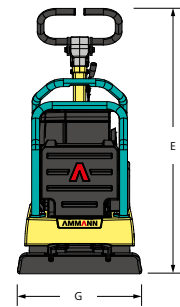
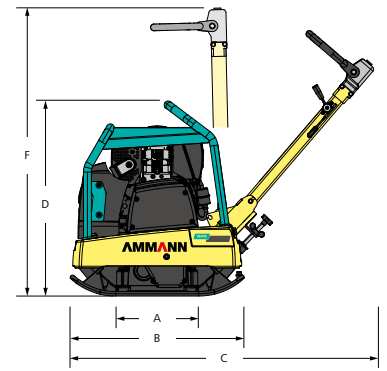
- Earthwork and paving applications
- Road and rail track construction
- Compaction work in narrow trenches, confined areas
- Landscape and gardening
- Foundation work
- Sensitive surfaces (with optional rubber mats for stone protection)

AMMANN

TECHNICAL SPECIFICATIONS
APR 30/50 & APR 30/60 REVERSIBLE VIBRATORY PLATE

WEIGHT & DIMENSIONS

	APR 30/50 PETROL	APR 30/50 DIESEL	APR 30/60 PETROL	APR 30/60 DIESEL
MACHINE WEIGHT	199 kg (439 lb)	215 kg (474 lb)	199 kg (439 lb)	215 kg (474 lb)
MACHINE WEIGHT (WITH OPTIONS)	214 kg (472 lb)	243 kg (536 lb)	214 kg (472 lb)	243 kg (536 lb)
A BASE PLATE LENGTH	330 mm (13.0 in)	330 mm (13.0 in)	330 mm (13.0 in)	330 mm (13.0 in)
B MACHINE LENGTH	700 mm (27.6 in)	700 mm (27.6 in)	700 mm (27.6 in)	700 mm (27.6 in)
C WITH HANDLE	1140 mm (44.9 in)	1140 mm (44.9 in)	1140 mm (44.9 in)	1140 mm (44.9 in)
D MACHINE HEIGHT	765 mm (30.1 in)	785 mm (30.9 in)	765 mm (30.1 in)	785 mm (30.9 in)
E HANDLE HEIGHT (WORK)	1000 mm (39.4 in)	1000 mm (39.4 in)	1000 mm (39.4 in)	1000 mm (39.4 in)
F HANDLE HEIGHT (TRANSPORT)	1180 mm (46.5 in)	1180 mm (46.5 in)	1180 mm (46.5 in)	1180 mm (46.5 in)
G MACHINE WIDTH	500 mm (19.7 in)	500 mm (19.7 in)	600 mm (23.6 in)	600 mm (23.6 in)



ENGINE

ENGINE	Honda GX 270	Hatz 1 B 30	Honda GX 270	Hatz 1 B 30
FUEL	Petrol	Diesel	Petrol	Diesel
ENGINE OUTPUT AT RPM	6 kW / 8 HP 3100	4.5 kW / 6 HP 2900	6 kW / 8 HP 3100	4.5 kW / 6 HP 2900
FUEL CONSUMPTION	2.1 l/h (0.6 gal/h)	1.3 l/h (0.3 gal/h)	2.1 l/h (0.6 gal/h)	1.3 l/h (0.3 gal/h)

COMPACTION FORCES

MAX. VIBRATION FREQUENCY	90 Hz (5400 vpm)	90 Hz (5400 vpm)	90 Hz (5400 vpm)	90 Hz (5400 vpm)
MAX. CENTRIFUGAL FORCE	32 kN (7194 lbf)	32 kN (7194 lbf)	32 kN (7194 lbf)	32 kN (7194 lbf)
WORKING SURFACE	780 m ² /h (8396 ft ² /h)	870 m ² /h (9365 ft ² /h)	936 m ² /h (10 075 ft ² /h)	1044 m ² /h (11 238 ft ² /h)
SPEC. SURFACE PRESSURE	19,4 N/cm ² (28,1 psi)	19,4 N/cm ² (28,1 psi)	16,2 N/cm ² (23,4 psi)	16,2 N/cm ² (23,4 psi)
AMPLITUDE	1.2 mm (0.05 in)	1.2 mm (0.05 in)	1.2 mm (0.05 in)	1.2 mm (0.05 in)

MISCELLANEOUS

HAND-ARM VIBRATIONS	< 2.5m/sec ² (8.2 ft/sec ²)	< 2.5m/sec ² (8.2 ft/sec ²)	< 2.5m/sec ² (8.2 ft/sec ²)	< 2.5m/sec ² (8.2 ft/sec ²)
SPEED	26 m/min (85 ft/min)	29 m/min (95 ft/min)	26 m/min (85 ft/min)	29 m/min (95 ft/min)
FUEL TANK	5.3 l (1.4 gal)	5.0 l (1.3 gal)	5.3 l (1.4 gal)	5.0 l (1.3 gal)
GRADEABILITY	35%	35%	35%	35%
MAX. INCLINE TO ALL SIDES	20°	30°	20°	30°



STANDARD EQUIPMENT

- Sturdy protection frame with central lifting point
- Vibration isolated handle bar
- Powerful and reliable petrol or diesel engine
- 2-shaft exciter with long service intervals
- Well protected, sturdy centrifugal clutch with wear resistant V-Belt
- 3 year extended warranty program

OPTIONAL EQUIPMENT

- Toolless mountable rubber mat for applications on paving stones (only with APR 30/50)
- Transport wheels
- Hour meter
- e-Start (only on Diesel machines)